

## Leister MISTRAL □ Hot-Air Blower



Please read the operating instructions carefully before use and keep for future reference.

### USAGE

The Leister hot-air blower MISTRAL is suitable to build into machines or tools. It is designed for continuous operation. The tool offers process safety as a result of the integrated protective elements.

- Industrial jointing technology by means of hot air staking
- Different types of drying and warming up processes
- Shrinking and welding of packaging foils and moulds
- Activating and releasing of solvent free glues and fusion adhesives
- Sterilisation of packaging materials such as small bottles, corks and containers
- Smoothing of tablet coatings, glazing of chocolate and cosmetic articles
- Separating and fusing of synthetic threads and fabrics
- Soldering processes on metal parts
- Removal of plastic burrs and glazing of plastic surfaces





## WARNING



**Danger to life** when opening the tool, as live components and connections are exposed. Unplug the tool before opening it.



Incorrect use of hot air blowers can cause **fire and explosion hazard**, especially near combustible materials and explosive gases.



Do not touch the element housing and nozzle as long as they are hot since they can cause **burns**. Let the tool cool down. Do not point hot air flow in the direction of people or animals.



## CAUTION



The voltage rating stated on the tool must correspond to the line/mains voltage.



The tool must be operated **with supervision**. Warmth can reach combustible materials, which are out of sight.



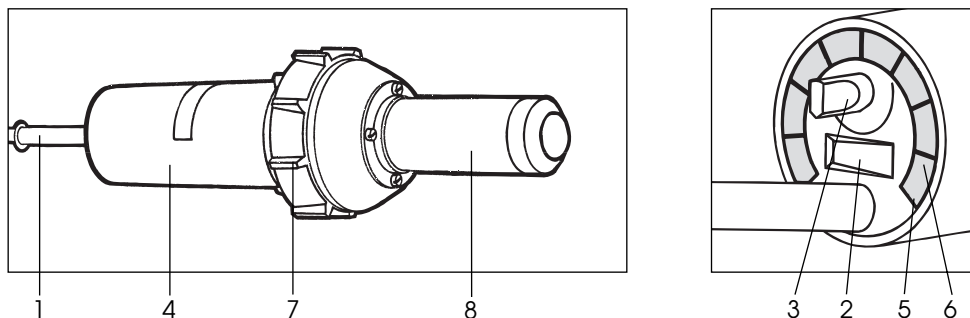
Protect the tool from **dampness and wet**.

## TECHNICAL DATA

Voltage	V~	120, 200, 230, 230 for 50/60 Hz
Power consumption	W	2700, 3000, 2300, 3400
Temperature	°C	20 – 650, steplessly adjustable
Air flow	l/min.	max. 350, manual air slide
Air pressure	Pa	2500
Emission level	L <sub>pA</sub> (dB)	65
Weight	kg	1.5 with 3m power supply cord
Size (L x ø)	mm	320 x 64
Mark of conformity	CE	
Mark of approval	Ⓢ	
Certification scheme	CCA	
Protection class II	□	

Line/mains voltage cannot be switched over

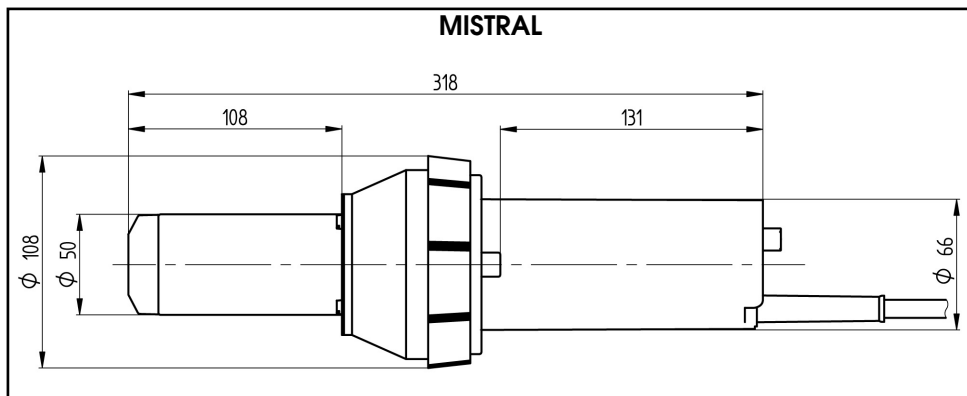
## Description of tool



- |                                             |                 |
|---------------------------------------------|-----------------|
| 1. Power supply cord                        | 5. Air slide    |
| 2. On/off switch                            | 6. Air filter   |
| 3. Potentiometer for temperature adjustment | 7. Rubber stand |
| 4. Handle                                   | 8. Heater tube  |

## Assembling

- Assembly must ensure that:
  - only cold air is supplied
  - no (hot air) backup occurs
  - the tool is not subjected to a hot air flow from another tool
- The tool is protected against mechanical vibration and shaking
- Assembly dimensions in mm



## Operating

- Equipment must be installed by a specialist.
- As required, push-fit appropriate nozzle or reflector.
- Reduce air flow as required by use of the **air slide (5)**.
- Adjust hot-air temperature by use of the **potentiometer (3)**.
- **Switch on (2)** and allow to warm up for about 5 min.
- Cool down the tool after use.

## Change of nozzles / reflectors

- Before changing nozzles/reflectors, allow the tool to cool down, or use only combination pliers.
- Do not touch hot nozzle / reflector and make sure to put it only on a heat resistant surface, because of the **fire hazard**.
- The nozzles / reflectors are easily pushed onto the conical **heater tube (8)** and are then secured by fastening the screw on the clamp.
- Only Leister nozzles / reflectors should be used.

## TRAINING

Leister Process Technologies and its authorised Service Centres offer free of charge courses in the range of applications on page 1.

## ACCESSORIES

- Use Leister accessories only.

## MAINTENANCE

- The hot-air blower's **air filter (6)** should be cleaned with a brush if necessary.
- Check **power supply cord (1)** and plug for any possible electrical or mechanical damages.

## SERVICE AND REPAIRS

- Repairs have to be carried out by authorised **Leister Service Centres** only. They guarantee a specialized and reliable **repair service within 24 hours** using original Leister spare parts.

## GUARANTEE AND LIABILITY

- Guarantee and liability are in accordance with the guarantee certificate as well as with the currently valid general business and sales conditions.
- Leister Process Technologies rejects any guarantee claims for tools which are not in their original condition. The tools must never be altered or changed.

**Technical data and specifications are subject to change without prior notice.**

**Your authorised Service Centre is:**

